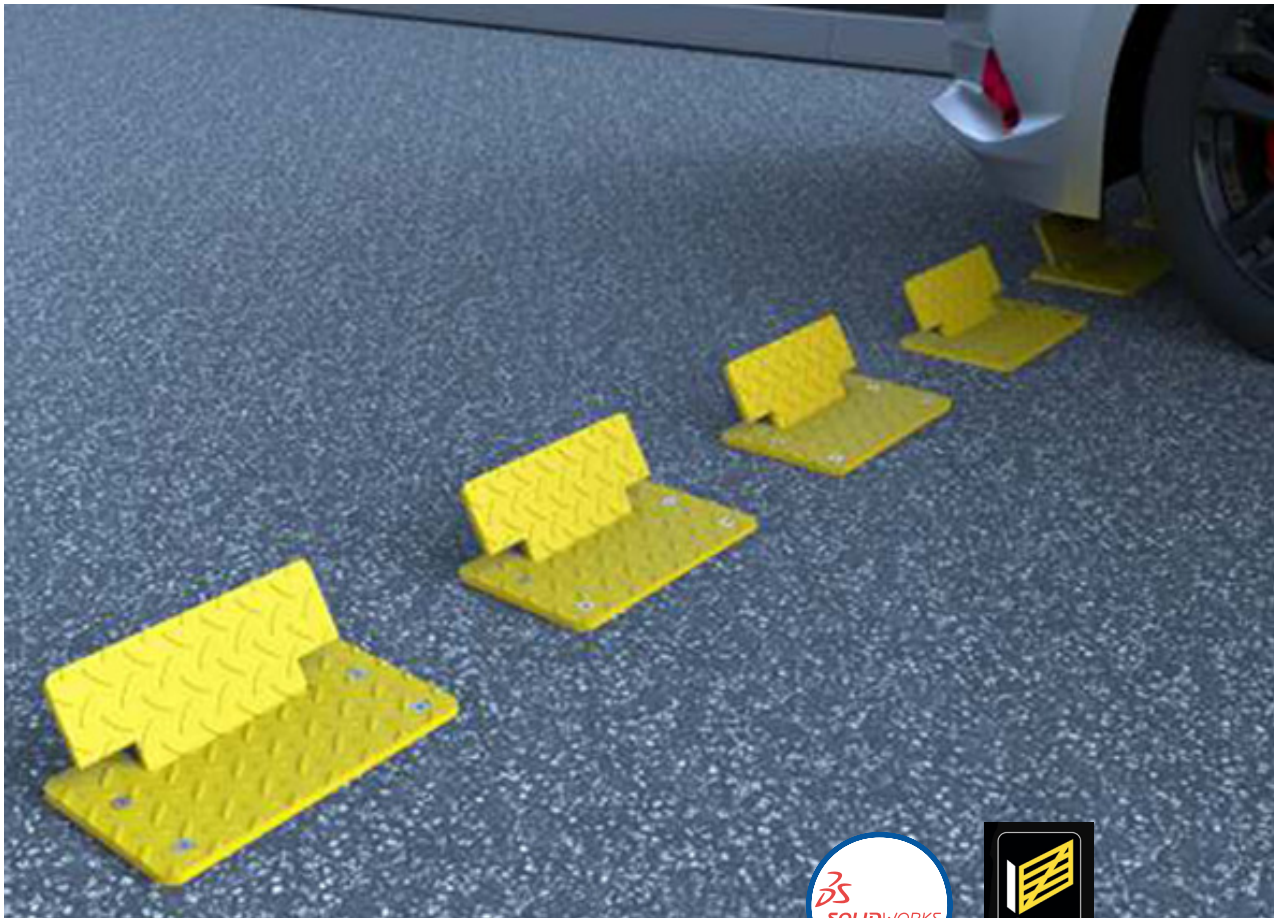


# SUNKEN FLOW PLATES

## 5800 Sunken Flow Plates



Secure | Simple | Cost Effective | Easy To Use

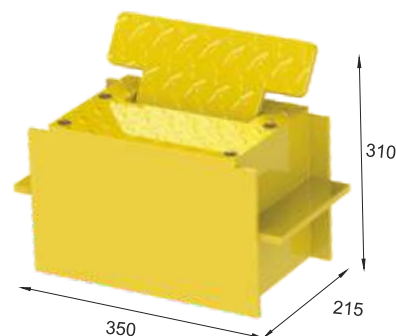
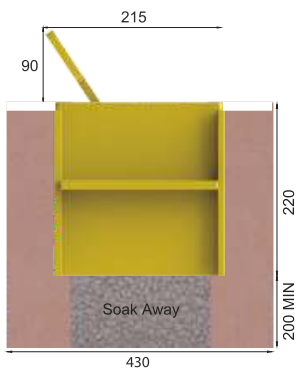


### Product Specifications

Material	Heavy Duty Chequer Plate Steel
Dimensions	350mm x 215mm x 220mm
Finish	Zinc Plated & PPC High Visibility Yellow
Installation	Concreted In, Finish Top Surface with Top of PF5800



Parking and access control equipment manufactured in the UK



5800 Sunken Flow Plates

01977 701566

info@gmcfabservices.co.uk

www.gmcfabservices.co.uk

Sunken Flow Plates

5800 Sunken Flow Plates